

cpi dr10 manual



Dealer Price Guide

Model #	Description	List	Dealer
DR10	Telephone style DC remote with handset. Features off-hook monitor, front panel PTT, PTT circuit, line continuity sensing, cross mute, and 2 watt audio. Control currents are dip switch selectable. Jumper selectable trunking mode - status tones heard over handset earpiece. (Ash color)	\$299.00	\$195.00
DR20	Console style DC remote with desk microphone. Features panel mounted monitor and intercom, front panel PTT, PTT circuit, line continuity sensing, cross mute, and 2 watt audio. Control currents are dip switch selectable.	\$475.00	\$315.00
DR30	Console style DC remote with internal microphone. Same features as DR20 with internal microphone instead of desk mic.	\$284.50	\$185.00
DR40	Console style DC remote with gooseneck microphone. Features panel mounted monitor and intercom, front panel PTT, PTT circuit, line continuity sensing, cross mute, and 2 watt audio.	\$475.00	\$315.00
DR10-NC	Telephone style remote with no current. Can be used for intercom system.	\$284.50	\$185.00

Option	Description	DR10	DR20	DR30	DR40	List	Dealer
-M	Push button monitor - CTCSS disable	O	S	S	S	\$23.00	\$15.00
-I	Push button intercom	O	S	S	S	\$23.00	\$15.00
-F	2 frequency selection - Control current is dip switch selectable	O	O	O	O	\$23.00	\$15.00
-4W/4D	Full duplex operation on 4 wires - 4 wire operation is selectable	O	O	O	O	\$23.00	\$15.00
-DE	12 Key DTMF encoder	O	O	O	O	\$105.00	\$75.00
-UEI	12 Key multi-format encoder	O	O	O	O	\$180.00	\$120.00
-FS	Foot switch for PTT	O	O	O	O	\$75.00	\$50.00
-220V	220V AC wall pack transformer	O	O	O	O	\$27.50	\$20.00
-WM	Wall mount kit	O	O	O	O	\$23.00	\$15.00
-BK	Unit color is black instead of ash	O	O	O	O	\$23.00	\$15.00
-L1/L2	Select between 1 of 2 base radios	O	O	O	O	\$30.00	\$20.00
-L1/L2/L3	Selects 1 of 3 base radios	O	O	O	O	\$45.00	\$30.00
-2 Line	2 line control with the ability to monitor both selected and un-selected base radios	O	O	O	O	\$140.00	\$100.00
-HD	Black, powdercoated, steel housing with armored handset cord	O	O	O	O	\$165.00	\$100.00
-QD	Locking quick disconnect for wall pack	O	O	O	O	\$27.50	\$20.00

www.cpicomm.com

File Name: cpi dr10 manual.pdf

Size: 4766 KB

Type: PDF, ePub, eBook

Category: Book

Uploaded: 7 May 2019, 19:30 PM

Rating: 4.6/5 from 681 votes.

Status: AVAILABLE

Last checked: 15 Minutes ago!

In order to read or download cpi dr10 manual ebook, you need to create a FREE account.

[Download Now!](#)

eBook includes PDF, ePub and Kindle version

[Register a free 1 month Trial Account.](#)

[Download as many books as you like \(Personal use\)](#)

[Cancel the membership at any time if not satisfied.](#)

[Join Over 80000 Happy Readers](#)

Book Descriptions:

We have made it easy for you to find a PDF Ebooks without any digging. And by having access to our ebooks online or by storing it on your computer, you have convenient answers with cpi dr10 manual . To get started finding cpi dr10 manual , you are right to find our website which has a comprehensive collection of manuals listed.

Our library is the biggest of these that have literally hundreds of thousands of different products represented.



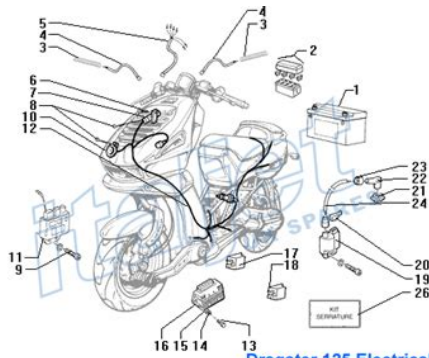
Book Descriptions:

cpi dr10 manual



Purchase termination panel separately. Write a Review! New features include modern housing, 2W audio, cross muting, line continuity sensing. Features 25 unit parallel capability, offhook monitor, front panel and handset PTT, amplified speaker, adjustable volume knob. Tones include 2050Hz monitor and 2175 Hz TX hold. The DR10 uses a simple dip switch to select the desired control current format and other features. No PC or programming cables required. Standard features include receive and transmit audio compression, front panel transmit capability onhook, modular handset with soft touch PTT switch, line continuity sensor, parallel cross mute ability, standard modular line cord connections, line operated PTT indicator, two watts speaker output with volume control and offhook CTCSS disable monitor. See OPTIONS for a description of options and the price list for option compatibility when ordering. DR20 The DR20 is a console style DC Remote with desk microphone designed to provide control of a remotely located base station or repeater over an in house or leased metallic wire pair. The DR20 uses a simple dip switch to select the desired control current format and other features. Standard features include receive and transmit audio compression, split bar desk microphone, intercom, line continuity sensor, parallel cross mute ability, standard modular line cord connections, line operated PTT indicator, two watts speaker output with volume control and front panel monitor. DR30 The DR30 is a console style DC remote, with an internal electret microphone, designed to provide control of a remotely located base or repeater system over an in house or leased metallic wire pair. The DR30 uses a simple dip switch to select the desired control current format and other features. <http://backkwang.com/userData/board/flh-project-development-and-design-manual.xml>

- **cpi dr10 manual, 1.0, cpi dr10 manual.**



Item No	Part No	Description
1	4851054	Battery
2	4850151	Fuse
3	4601821	Tube clamp spring
4	4400540	Sheath
5	4400560	Instr.panel wiring
6	3380085	Screw
7	4401015	Switch
8	5017296	Screw
9	5028422	Self tapp.screw
10	4702513	Horn
11	210293352	Device
12	4850110	Wiring
13	210015558	Screw
14	210016406	Washer
15	210003058	Washer
16	210292033	Regulator
17	210580062	Rem. control switch
18	3372901	Rem. control switch
19	210292418	AT coil
20	210231571	Cap
21	210114164	Grommet
22	210255963	Screened cap
23	210155753	Cap
24	210080341	H.L. cable
26	4401014	Locks kit

Standard features include receive and transmit audio compression, front panel transmit button, intercom, line continuity sensor, parallel cross mute ability, standard modular line cord connections, line operated PTT indicator, two watts speaker output with volume control and front panel monitor. DR40 The DR40 is a console style DC remote, with a flexible goose neck microphone, designed to provide control of a remotely located base or repeater system over an in house or leased metallic wire pair. The DR40 uses a simple dip switch to select the desired control current format and other features. See OPTIONS for a description of options and the price list for option compatibility when ordering. 1 2 3. 36 Summary of content 36 pages Page 1 DC Remotes DR10 The DR10 is a telephone style DC Remote designed to provide control of a remotely located radio base station or repeater over an in house or leased metallic wire pair. Page 2 DR Series Specifications Power Requirements 120 VAC, 60Hz for wall pack operation Audio Output to Speaker 2 Watts minimum in compression into 8 ohms with less than 3% distortion using supplied power pack. Compression Less than 3 dB increase in output with 30 dB increase beyond threshold of compression. Line input Adjustable, 20 dBm minimum. Page 3 DC Termination Panels DTP Series The DTP Series DC termination panels provide a reliable, cost effective method of interfacing a DC remote control system to virtually any twoway radio. There are three basic models in the DTP series. The DTP1 provides TX and RX functions. The DTP2 provides TX, RX and Monitor functions. Modulation Output 2 mVrms to 565 mVrms into 600 ohm load with 0 dBm input on phone line. RX Input level 88 mVrms to 880 mVrms Level required to provide 0 dBm to phone line. Connections RJ11 jack for phone line. Screw terminals for radio connections. <http://www.ronjenner.nl/userfiles/flh-parts-manual-pdf.xml>

Dell® Latitude® CP and CPI Documentation Update



This document revises information contained in the *Dell Latitude CP Reference and Troubleshooting Guide* that came with your computer and the online *Dell Latitude CP and CPI User's Guide* located in the Dell Accessories folder.

New Microprocessor Options

The Dell Latitude CP D300XT computer has a 13.3-inch active-matrix extended graphics array (XGA; 1024 x 786) color display and 512 kilobytes (KB) of external cache.

The Dell Latitude CP D266XT computer has a 13.3-inch active-matrix XGA (1024 x 786) color display and 512 KB of external cache.

The Dell Latitude CP E233ST computer has a 12.1-inch active-matrix super video graphics array (SVGA; 800 x 600) color display and 512 KB of external cache.

The Dell Latitude CP M233SD computer has a 12.1-inch high-performance high-contrast (HPHC; 800 x 600) SVGA color display and 512 KB of external cache.

For more information, search on "features" and "technical specifications" in the online *System User's Guide* in the Dell Accessories folder.

Updated Features

In addition to features described in the *Reference and Troubleshooting Guide* and online *System User's Guide*, the Latitude CP and CPI computers support the following features:

- A hard-disk drive password to help protect the data on the hard-disk drive from unauthorized access.

CAUTION: The hard-disk drive password provides a high level of security for the data on your hard-disk drive. However, it is not fool-proof. If your data requires more security, it is your responsibility to obtain and use additional forms of protection, such as data encryption programs or PC Cards with encryption features.

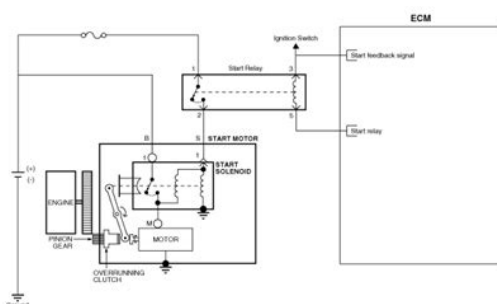
Use the System Setup program to assign a hard-disk drive password. For instructions and more information, search on "hard-disk drive password" in the online *System User's Guide*.

- The Latitude CP and CPI computers can be booted from a CD. For more information, search on "Page 1 of the System Setup program" in the online *System User's Guide* and click on the Boot First Device, Boot Second Device, and Boot Third Device setup options.

Page 5 Tone Remotes TR10 The TR10 is a telephone style Tone Remote designed to provide control of a remotely located radio base station or repeater over a voice grade wire pair. The TR series uses the E.I.A. standard sequential tone format which provides 2175 Hz. Compression Less than 3 dB increase in output with 30 dB increase beyond threshold of compression. Except at notch frequency. 1000 Hz reference. Page 7 Multi Frequency Tone Remotes TR104F The TR104F is a telephone style tone remote designed to provide control of up to 4 frequencies on a remotely located base station radio over a voice grade wire pair. The TR104F uses the E.I.A. standard sequential tone format which provides 2175 Hz guard tone, 19501650 Hz function tones, 2050 Hz monitor, and a 2175 Hz hold tone. Page 9 Tone Termination Panels TTP1N The TTP1N is an EIA standard tone termination panel that can be interfaced to virtually any radio. Standard features of the TTP1N include tone detection AGC eliminates line in level adjustments, modular and screw terminal connections, jumper selectable 2 wire, 4 wire, or full duplex, and LED status indicators. Interfacing the TTP1 or TTP2 termination panel is straightforward. Page 12 Specifications Subject to change without notice. Page 13 Local Extensions LE10 The LE10 is a telephone style local extension designed to provide remote control of a conventional or trunked radio base station or repeater at distances up to 1000 feet. The LE series is easily configured for use with virtually any radio and allows up to 25 units to be paralleled off a single radio. Advanced features of the LE series include the ability to hear transmissions made from parallel units as well as those made using the radio microphone. Fused on circuit board. Receive Audio Input Level 88 mVRMS to 880 mVRMS to provide full speaker output. Audio Output to Speaker 1 Watt into 8 ohms with 13.8 VDC supply or using WP option.

Page 15 DC to Tone Convertor DTC1 DC to TONE CONVERTOR TB1 CONNECTIONS 214 4375320 800 8699128 1 GROUND 2, 3 AC INPUT 4, 5 TONE PAIR 6, 7 DC PAIR SEE MANUAL FOR DIP SWITCH SETTINGS TB1 LINE INPUT MOD OUT 1 2 3 4 5 6 7 8 TONE OUT 1 2 3 4 5 6 7 Description The DTC1 DC to Tone convertor converts your existing DC remote control system to the industry standard sequential tone format used by Motorola, GE, and other manufacturers. Wall pack provided. Unit may also be powered directly from a 12 VDC source. The remote provides LED displays for channel indication, channel up and down buttons, PTT indicator, onhook PTT capability, monitor button and indicator, intercom button, scan button and indicator and speaker volume control. Page 18 MCP200 series Termination Panel s The are five models of MCP200 series

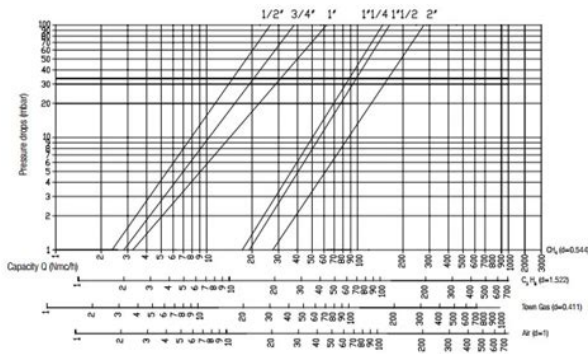
termination panels. The MCP200 for use with Maxtrac 300 series and Radius M200 series radios; the MCP200G for use with Radius GM300 radios; the MCP200M for use with Radius M1225 20 ch; the MCP200MLS for use with Radius M1225LS radios; and the MCP200S for use with Radius SM120 radios. All models consists of two parts. The first is a small adaptor board that is installed in the radio. The remote has an LCD displays for group and channel indication and 9 character alpha channel alias. The remote provides group and channel up and down buttons, PTT indicator, onhook PTT capability, monitor button and indicator, intercom button, scan button and indicator, privacy feature, and speaker volume control. Power taken from radio accessory jack. RX Control Adjusts audio level to phone line. The remote provides LED displays for channel indication, channel up and down buttons, PTT indicator, onhook PTT capability, monitor button and indicator, intercom button, scan button and indicator and speaker volume control. Power taken from radio microphone jack. TX Control Adjusts audio level to the radio microphone input. Line input level l..



<http://superbia.lgbt/flotaganis/1653283497>

Page 25 Multi Channel Products for Motorola CDM1550LS radios MCR211A The MCR211A is a telephone style remote control unit designed for use with Motorolas CDM1550 and CDM1550LS radios. The remote has an LCD displays for channel and zone indications and 9 character alpha channel alias. The remote provides channel and zone up and down buttons, PTT indicator, onhook PTT capability, monitor button and indicator, intercom button, scan button and indicator, privacy feature, and speaker volume control. Indicators Channel, Zone, PTT, Scan and Monitor, Privacy TX Control Adjusts audio level to the radio microphone input. Page 27 Dealer Price Guide Communications, Inc. Features offhook monitor, front panel PTT, PTI circuit, line continuity sensing, cross mute, and 2 watt audio. Control currents are dip switch selectable. This unit will interface to virtually any two way radio. Features on and offhook monitor, front panel PTT, parallel transmit indication, cross mute, and 2 watt audio. MCR411ADM Console version of the MCR411A with desk microphone. Alpha and non alpha remotes will function together in the same system using 2 wire operation. Only the alpha remotes and termination panels are capable of full duplex operation. Non alpha remotes can not be used in a full duplex system. Features system and group selection, scan and monitor functions, front panel PTT, and intercom between parallel remotes. Not compatible with nonalpha MCR or TSR remotes. Sales of special orders or custom units are final on date of sale. Returns that are unopened will be subject to a restocking fee equal to 20% of the invoice price. Returns that have been opened will be subject to an additional testing or refurbishing fee. If the returned item shows a defect that is not covered under warranty, you will be charged normal rates for repair. Call us at 1.855.PULSTAR 785.7827 or 651.490.9053 Paul MN, 55110 TollFree 1855PULSTAR 7857827 Local 651 4909053.

<https://www.euralux.com/images/99-oldsmobile-aurora-owners-manual.pdf>



All requests will be deleted and a forum infraction issued. Making a request such as this is attempting to engage in software piracy and this forum cannot be involved or associated with this activity. The same goes for any private transaction via Private Message. Even if you attempt to engage in this activity in PMs we will still enforce the forum rules. Your PMs are not private and the administration has the right to read them if theres a hint to criminal activity. If you are having trouble legally obtaining software please state so. We do not want any hurt feelings when your vague post is mistaken for a free request. It is YOUR responsibility to properly word your request. To obtain Motorola software see the Sticky in the Motorola forum. The various other vendors often permit their dealers to sell the software online i.e., Kenwood. Please use Google or some other search engine to find a dealer that sells the software. Typically each series or individual radio requires its own software package. One package is for conventional programming and the other for trunked programming. The conventional package is more reasonable though is still several hundred dollars. The benefit is you do not need multiple versions for each radio unlike Motorola. This is a large and very visible forum. We cannot jeopardize the ability to provide the RadioReference services by allowing this activity to occur. Please respect this. For a better experience, please enable JavaScript in your browser before proceeding. It may not display this or other websites correctly. You should upgrade or use an alternative browser. I have a service manual for the consolette, but no documentation whatsoever on the CPI consoles. The consolette DOES have the tone remote board installed. Currently, the dr10 unit receives perfectly, but I am unable to key the radio to transmit. If anyone has any experience with this, your help would be greatly appreciated!

<http://www.federicocastelnovo.com/images/99-oldsmobile-intrigue-manual.pdf>



Im using the DR10 remote in conjunction with a DTP series termination panel, connected to an astro

consolette. I have been able to get the PTT function to work, and the transmit audio comes through the radio fine. I cant, however, get the receive audio through to the remote. I have the receive audio input on the DTP panel connected to the filtered audio output on the accessory port of the consolette. If anyone has installed one of these setups, your input would be greatly appreciated. I just tried this, and I had enormous hopes, lol. Unfortunately no luck. The problem is, There is a lot of electrical noise that comes with it similar to ground loop, and if you cycle the radio off, then on again, the audio goes dead. Anyone have any ideas.I have no experience with the Astro Consolette but have a number of TTP series termination panels in service. I just tried this, and I had enormous hopes, lol. Anyone have any ideas.Just a lot better overall. For a more clear look, you may open several examples below. Each of the examples about Cpi Dr10 Manual with this web site, we get from a number of sources so you may create a better document of your own. If the search you obtain here does not complement what you are seeking for, please use the lookup feature that we have got provided here. You will be free to download anything at all that we provide right here, it will not cost you typically the slightest.

<http://www.orarestauratorisaf.it/wp-content/plugins/formcraft/file-upload/server/content/files/16286afc7e4a87---Cablevision-manual-de-encryptacion.pdf>

<http://gbb.global/blog/boss-me-20-manual-0>