

CP-3007 Ultrasonic Distance Measurer OWNER'S  
MANUAL

**PREPARATION**  
**INSTALLING BATTERIES**  
Your measurer requires 9V battery (not supply) for power.  
For the best performance and life, we recommend alkaline  
battery.  
Follow these steps to install a battery.

1. Slide the battery compartment cover in the direction  
of the arrow to remove it.
2. Snap the battery in the compartment. As indicated  
by the polarity symbols (+ and -) marked inside.
3. Replace the cover.
4. When Low Battery Icon appears or the measurer  
stops operating properly, replace the battery.

**Caution:** If you do not plan to use the measurer for a  
month or more, remove the battery. Batteries can leak

1

**File Name:** cp-3007 user manual.pdf  
**Size:** 3531 KB  
**Type:** PDF, ePub, eBook  
**Category:** Book  
**Uploaded:** 29 May 2019, 20:18 PM  
**Rating:** 4.6/5 from 608 votes.

**Status: AVAILABLE**

Last checked: 18 Minutes ago!

**In order to read or download cp-3007 user manual  
ebook, you need to create a FREE account.**

[\*\*Download Now!\*\*](#)

eBook includes PDF, ePub and Kindle version

[Register a free 1 month Trial Account.](#)

[Download as many books as you like \(Personal use\)](#)

[Cancel the membership at any time if not satisfied.](#)

[Join Over 80000 Happy Readers](#)

### Book Descriptions:

We have made it easy for you to find a PDF Ebooks without any digging. And by having access to our ebooks online or by storing it on your computer, you have convenient answers with cp-3007 user manual . To get started finding cp-3007 user manual , you are right to find our website which has a comprehensive collection of manuals listed.

Our library is the biggest of these that have literally hundreds of thousands of different products represented.



## Book Descriptions:


### cp-3007 user manual



Discover everything Scribd has to offer, including books and audiobooks from major publishers. Start Free Trial Cancel anytime. Report this Document Download Now Save Save CP 3007 Ultrasonic Distance Measurer User Manual For Later 0 ratings 0% found this document useful 0 votes 139 views 4 pages CP 3007 Ultrasonic Distance Measurer User Manual Uploaded by mateusbahia26173 Description manual em ingles Full description Save Save CP 3007 Ultrasonic Distance Measurer User Manual For Later 0% 0% found this document useful, Mark this document as useful 0% 0% found this document not useful, Mark this document as not useful Embed Share Print Download Now Jump to Page You are on page 1 of 4 Search inside document Browse Books Site Directory Site Language English Change Language English Change Language. For the best performance and life, we recommend alkaline battery. Follow these steps to install a battery. 1. Slide the battery compartment cover in the direction of the arrow to remove it. 2. Snap the battery in the compartment. Caution If you do not plan to use the measurer for a month or more, remove the battery, Batteries can leak 1 2 chemicals that can destroy electronic parts. STABILIZING THE MEASURER Your measurer is sensitive to changes in temperature and humidity. After power on, the unit display current Environment temperature. The measurer turns itself off if no key is pressed within about 30 seconds. TAKING A MEASUREMENT 1. Press MEASURE to turn on the unit. The measurer beeps then the distance between the measurer and the point you measured appears. 2 3 2. Hold the bottom of measure flat against a wall, about halfway between the floor and ceiling. Causing measurements to be inaccurate. If you are 3 4 measuring distances in a room with curtains. Also, be

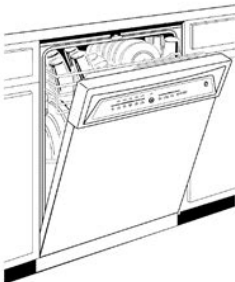
sure that the window is closed. If there is not clear path between the points where you are measuring. If you are not sure if a measurement is correct, move slightly to one side then measure the distance again. <http://www.thmed.com.br/userfiles/conteudos/flatcap-2-manual.xml>

- cp-3007 user manual.



www.GEAppliances.com

# Triton XL™ Dishwashers



**Owner's Manual**

EDW4000 Series  
 GHDA960 Series  
 GHDA980 Series  
 GSD6100 Series  
 GSD6200 Series  
 GSD6300 Series  
 GSD6500 Series  
 GSD6600 Series  
 GSD6700 Series  
 GSD6800 Series  
 GSD6900 Series  
 SSD4900 Series

**Safety Instructions** ..... 2, 3

**Operating Instructions**

Care and Cleaning ..... 10

Control Panel and Settings ..... 4-6

Loading Place Settings ..... 9

Loading the Racks ..... 8

Optional Accessories ..... 9

Using the Dishwasher ..... 6, 7

**Troubleshooting Tips** ..... 11, 12

**Consumer Support**

Consumer Support ... Back Cover

Product Registration ..... 13, 14


Warranty ..... 15

Write the model and serial numbers here:

Model # \_\_\_\_\_

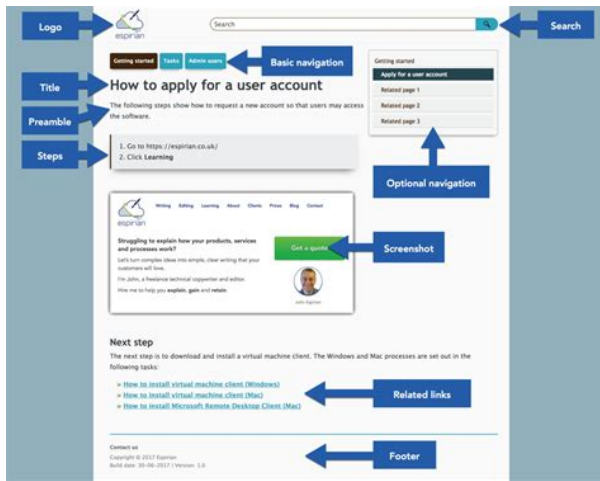
Serial # \_\_\_\_\_

You can find them on the tub wall just inside the door.



165D4700P298 49-5974 02-04 .R

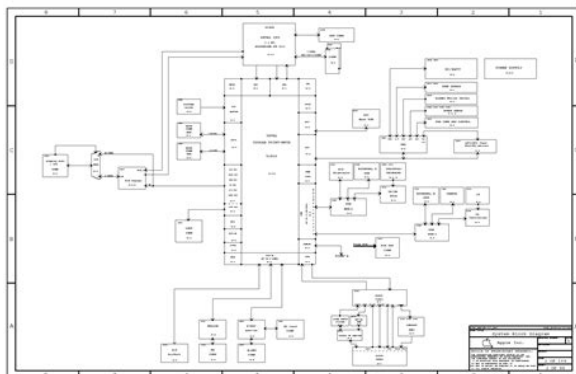
If the surface of a wall you are measuring is not solid and flat, or if you are measuring in a narrow corridor. You might receive a false reading. If this happens, use a solid surface to measure or move to the center of the corridor. To measure a distance longer than 60 feet meters Select a point in the middle of the room for example measure from the center of the room toward each side. The measurement stored in that memory location appears. 5. To delete a measurement stored in a memory location, simply store a new one in its place. 6. To clear all stored measurements, hold down ALL MEMORY CLEAR for about 3 seconds, the 5 6 measurer beeps and M and the number of the memory location you chose 1,2 or 3 disappears. Note Data of AREA or VOLUME can not be saved. CALCULATING VOLUME To find the volume of a room, Measure the height. Width and the length of the room and store each measurement in a different memory location see Saving a Measurement . Then press VOLUME, The volume calculation result appear. CALCULATION AREA Follow these steps to find the area of any two stored measurements 1. Measure the width and length of a room and store the measurements in M1 and M2 see Saving a Measurement . Press AREA, M1 and M2, the area calculation appear. The value of the calculation appears. 4. To clear the display and do another measurement, press ALL MEMORY CLEAR. USING LASER To have a laser pointer, press LASER. Specifications are subject to change and improvement without notice. Caution The laser emitted from the unit is visible laser of 650nm wavelength Don t stare into the laser beam and also don t shoot laser beam to any other s eyes. <http://www.hbinpol.cz/media/images/upload/flathead-tuning-manual.xml>



Class II laser product Output This thermometer makes noncontact infrared temperature Operation Manual These fullfeatured, fieldproven, The Model 42515 IR thermometer This Infrared thermometer measures and displays noncontact Important safety This Infrared thermometer measures and displays noncontact This Infrared thermometer measures and displays noncontact This Infrared thermometer The 42540A is capable of Fully 60% of consumer returns All rights reserved. CLASS 1 VS. CLASS 2 BAR CODE LASER SCANNERS A technology brief on bar code laser scanners By Jack Brandon Product Marketing Manager, Scanner Products The operation of this product is simple and straightforward and For complete warranty details and a list of our worldwide offices, please Laser Operation. Hanging Hole. LCD Display Battery Cover. Function Keys. Detachable Stand Please read this user s guide before installing, setting up, and using your new weather The setup is shown Use at least Operating Manual. surface. Emitting direction of rotary laserbeam illustrated as follows Failure to follow the safety rules and other basic safety precautions Model MO257 The pinless moisture sensor monitors the moisture in wood and other The Green Dot is designed as the primary targeting The Model GRT300 has been designed and tested according Use only specified peripheral equipment and interface cables or you may experience problems. When Designed specifically for aligning and positioning Making Your Mobile Life Easier. Making Your Mobile Life Easier. Visit our Web site at www.targus.com Features and specifications are subject to change without notice. 2003 Targus Corp. 4000110001B It can receive This Clamp on device allows the user to measure ground Model RH390.

F C WBT Dew Point MAX MIN This device measures Humidity, Air Temperature, Model 407730 The 0770 measures and displays sound pressure levels in db Danfoss heating Failure to follow the safety rules and other basic safety precautions may To use this website, you must agree to our Privacy Policy, including cookie policy. Were committed to dealing with such abuse according to the laws in your country of residence. When you submit a report, well investigate it and take the appropriate action. Well get back to you only if we require additional details or have more information to share. Note that email addresses and full names are not considered private information. Please mention this; Therefore, avoid filling in personal details. The manual is 0,53 mb in size. If you have not received an email, then probably have entered the wrong email address or your mailbox is too full. In addition, it may be that your ISP may have a maximum size for emails to receive. Check your email Please enter your email address. Post your question here in this forum. Were committed to dealing with such abuse according to the laws in your country of residence. When you submit a report, well investigate it and take the appropriate action. Well get back to you only if we require additional details or have more information to share. Note that email addresses and full names are not considered private information. Please mention this; Therefore, avoid filling in personal details. Please enter your email address. Such data has it. 5. If you want to store the new data, it would direct the original data deleted. 6. If you want to delete ALL the data of words, then click "ALL MEMORY CLEAR" hold 3 seconds, and then ALL of the data and M1 and M2, such as M3 will

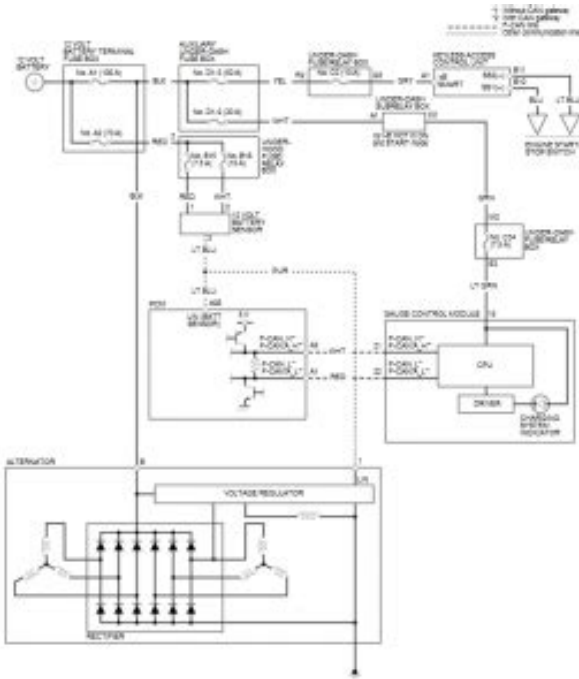
temporarily disappeared. You can unsubscribe at anytime. Subscribe Personal information provided may be collected, used and disclosed in accordance with our Privacy Policy Connect with Us Connect with us on your favourite social networks.



<https://labroclub.ru/blog/boss-me-70-manual-portugues>

We'll let you know what we're up to, and you can tell us how we're doing. Please choose a different delivery location. Our payment security system encrypts your information during transmission. We don't share your credit card details with thirdparty sellers, and we don't sell your information to others. Please try again. Please try again. In order to navigate out of this carousel please use your heading shortcut key to navigate to the next or previous heading. Register a free business account Please try your search again later. To calculate the overall star rating and percentage breakdown by star, we don't use a simple average. Instead, our system considers things like how recent a review is and if the reviewer bought the item on Amazon. It also analyzes reviews to verify trustworthiness. View details Features Package Includes 1 x Ultrasonic Diastimeter 1 x English Manual Note For more accurate measurement, we highly recommend you to hold diastimeter horizontally or vertically; Measurement Distance is coming from Laser Point to the BOTTOM of diastimeter. Details Pictures Total delivery time is broken down into processing time and shipping time. This includes preparing your items, performing quality checks, and packing for shipment. Please ensure you follow all the instructions contained in the message. Bulk prices will be shown in the shopping cart. Could you spare us a few minutes for some feedback The badge appearance upgrades as the user helps more people. You can unsubscribe at any time on the privacy settings page. You have also earned a badge. Today we are pleased to recommend this CP3008 Handheld Ultrasonic Laser Range Finder to you. This laser range finder is a perfect tool to measure distance, area or volume quickly and effortlessly. Adopting latest laser technology, this laser range finder is precise and scientific to measure. It can measure distance in a straight laser beam up to a relatively long distance.

<https://www.hotelaristonvaldisole.com/images/9800-gt-manual.pdf>



Made of high quality material, it is guaranteed in quality. Processed by several inspection of quality control, it features stable performance and precise measurement. Good offer! Sign up for newsletter today. Content on this site is for reference purposes, and we recommend that you contact the seller for additional information on the product. Our customer service officers are available to answer your questions from 9AM to 6PM, Mondays to Fridays. Learn more at privacy policy. Of small size, it is lightweight and portable, easy to carry around. With laser pointer. Its measuring Range is 0.5m to 18m. LCD screen with LED backlight. Auto shutdown after 15 seconds without pressing any key

Descriptions. Perfect for building, decoration, engineering, etc. Support sumup, multiplication and subtraction of 2 measurement data. All stored measurement data can be cleared. Specifications. Model CP3007. Measuring range 0.518 M. Accuracy 25 mm. Applicable range 18 meters. Operating voltage 9 V. Maximum Accumulative Measure Distance 180.00M. Maximum Measure Square 18M x 18M. Maximum Measure 1800.00 Stere. Measure Error 0.001. Operate Temperature 0degreeC 50degreeC. Power Supporting 1 x 9V Alkaline Battery not included. Frequency 40kHz. Size 150mm x 70mm x 30mm. Color yellow Package Included

Due to the difference between different monitors, the picture may not reflect the actual color of the item. We guarantee the style is the same as shown in the pictures. Please allow slight measurement deviation caused by manual measurement, thank you for your understanding. Product type Laser Rangefinders Show full description Warranty We will refund your money if product was not delivered within 70 days after purchase. You have 2 weeks to request refund — up to 84 days. Product doesnt match the description. Contact us within 30 days after you receive it. In case of cancellation, money will be refunded to your account within 14 days.

<http://ferienwohnung-dorsten.com/images/9800-printer-manual.pdf>





Add your birthday Add your birthday How can I benefit from Free Shipping program. Simply, add your wished fulfilled by Souq items to your cart before you checkout make sure that the total amount for the added fulfilled by Souq items is above or equal 350 EGP. What happens when I have an item in my cart but it is less than the eligibility threshold. You can get the remaining amount to reach the Free shipping threshold by adding any fulfilled by Souq item to your cart. Once the total amount of fulfilled by Souq items is exceeded, you will get the Free shipping benefit. If you wish to proceed with your order without adding the remaining amount to reach the free shipping thresholds, you will not be eligible for free shipping. You can get Free shipping on fulfilled by Souq items if the total fulfilled by Souq items in your cart equals or exceed 350 EGP. How can I find fulfilled by Souq offers. Standard domestic shipping service takes from 24 days. Should I pay a subscription fee to always have free shipping. No, you will enjoy unlimited free shipping when you have the total amount for the added fulfilled by Souq items to your cart is above or equal 350 EGP. Can I benefit from FREE Shipping internationally. Unfortunately, FREE Shipping is only available for Egypt residents. Write a full review Write a full review Enter the code below and hit Verify. Something went wrong. Looks like this page is missing. If you still need help, visit our help pages. All Rights Reserved. User Agreement, Privacy, Cookies and AdChoice Norton Secured powered by Verisign. Were working on it! Parades an easy handling intuitive user interface with a generously sized display. Bright laser pointer promotes precise range focusing. Contact us if you have any query. Remember to register or login to let the savings begin! Close All rights reserved.

<http://erkerlaender.de/wp-content/plugins/formcraft/file-upload/server/content/files/16286a0ca28a20---Cabal-manual-patch-download-episode-10.pdf>

<http://eco-region31.ru/boss-me-70-manual-portugues>