

File Name: 700 grizzly manual.pdf

Size: 1752 KB

Type: PDF, ePub, eBook

Category: Book

Uploaded: 18 May 2019, 12:28 PM

Rating: 4.6/5 from 703 votes.

Status: AVAILABLE

Last checked: 12 Minutes ago!

In order to read or download 700 grizzly manual ebook, you need to create a FREE account.

[**Download Now!**](#)

eBook includes PDF, ePub and Kindle version

[Register a free 1 month Trial Account.](#)

[Download as many books as you like \(Personal use\)](#)

[Cancel the membership at any time if not satisfied.](#)

[Join Over 80000 Happy Readers](#)

Book Descriptions:

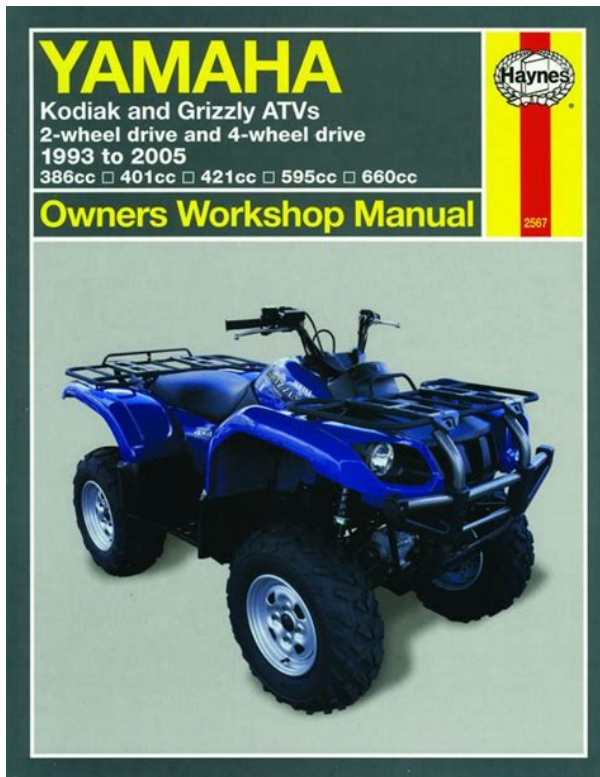
We have made it easy for you to find a PDF Ebooks without any digging. And by having access to our ebooks online or by storing it on your computer, you have convenient answers with 700 grizzly manual . To get started finding 700 grizzly manual , you are right to find our website which has a comprehensive collection of manuals listed.

Our library is the biggest of these that have literally hundreds of thousands of different products represented.



Book Descriptions:

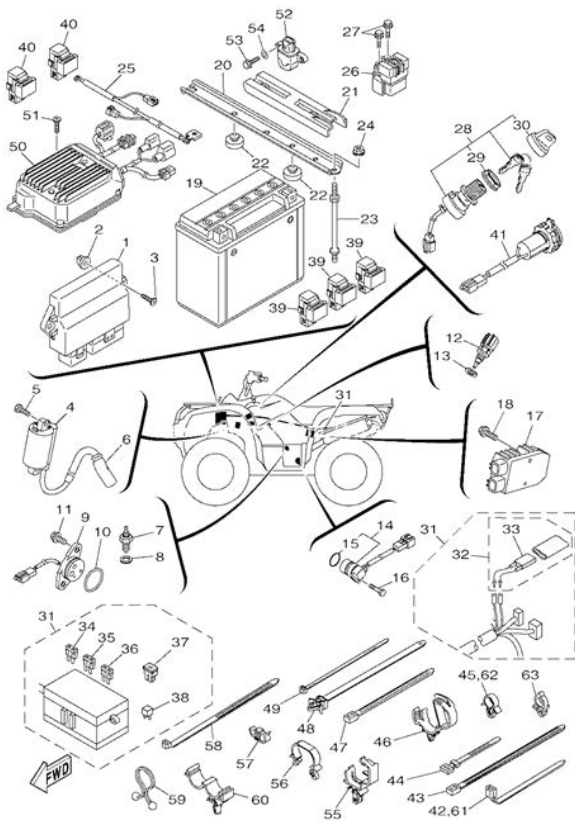
700 grizzly manual



Huge discounts on Yamaha parts. Easy to order with great. Yamaha Sport ATV OEM Parts. Yamaha Utility ATV Parts. Reload to refresh your session. Reload to refresh your session. Other works of arts. AEG Telephone AG300. The Komatsu BR380JG1EO crusher features much of the same innovative technology used in Komatsu's Dash 8 excavator line and Dash 6 loader line, delivering lower. Find the user manual you need for your phone and more at ManualsOnline. Its meant to serve as a general fitment guide. Shown below is fitment information offered by Camoplast. Select one of the categories below to find the User. Retrevo provides Manuals, User Guides, Reference Guides for more than 2025 Yamaha products. Grizzly 300 googledoc. Reload to refresh your session. Reload to refresh your session. Manual DOWNLOAD 09 10 . Best Yamaha YFM550FI YFM700FI Grizzly. Service Repair Manual This is the most complete. Manual DOWNLOAD 09 10 . Service Repair Manual This is the most complete Service Repair Manual for the Yamaha YFM550FI YFM700FI Grizzly 2009 This DOWNLOAD contains of high quality diagrams and instructions This is a must for the DoItYourselfer. You will not be dissatisfied. Models Covers. Please try again. Please try again. Please try your search again later. To calculate the overall star rating and percentage breakdown by star, we don't use a simple average. Instead, our system considers things like how recent a review is and if the reviewer bought the item on Amazon. It also analyzes reviews to verify trustworthiness. Consumers should check with recalling firms for further details. The prefix and serial number of the vehicles are stamped into the frame as part of the Vehicle Identification Number VIN. The VIN is located on the left front frame on ATVs and the left rear frame on sidebysides ROVs. The prefix is the 4 th through 8 th digit of the VIN, and the serial number is the last six digits. Model, prefix and serial numbers are listed in this chart. <http://tourpark.com.ua/temp/fckeditor/elgin-eagle-sweeper-manual.xml>

- grizzly 700 manual, grizzly 700 manual service, yamaha grizzly manual, yamaha

grizzly manual 660, yamaha grizzly 700 manual, yamaha grizzly 700 manual service, yamaha grizzly 700 manual pdf, grizzly 700 service manual pdf, yamaha grizzly 700 fi manual, 1.0, grizzly 700 manual, grizzly 700 manual service, yamaha grizzly manual, yamaha grizzly manual 660, yamaha grizzly 700 manual, yamaha grizzly 700 manual service, yamaha grizzly 700 manual pdf, grizzly 700 service manual pdf, yamaha grizzly 700 fi manual.



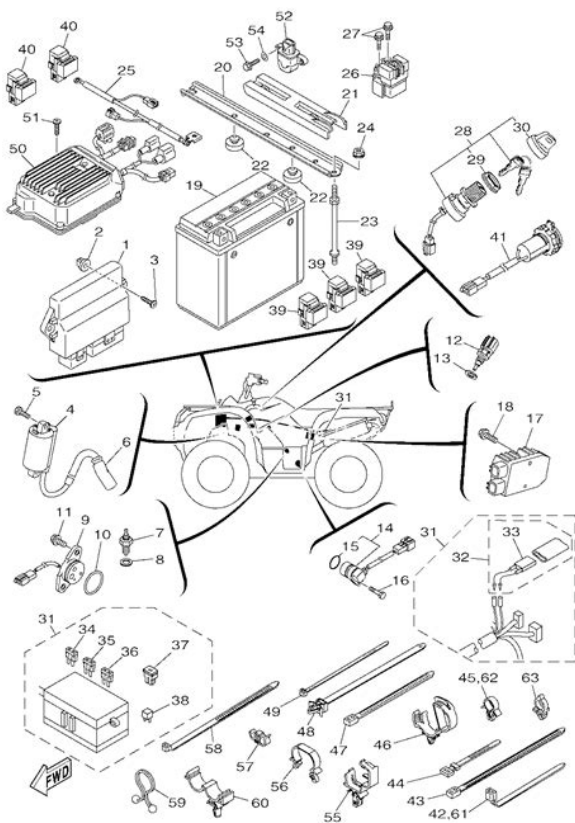
Yamaha and either the Grizzly or Wolverine X2 are printed on the side of the vehicles. The model number is printed on the vehicle's emission control information label. Yamaha is contacting all registered owners directly by U.S. mail. The envelope from Yamaha contains a free replacement owner's manual. Fast Track recalls are initiated by firms, who commit to work with CPSC to quickly announce the recall and remedy to protect consumers. CPSC's work to ensure the safety of consumer products has contributed to a decline in the rate of deaths and injuries associated with consumer products over the past 40 years. CPSC does not control this external site or its privacy policy and cannot attest to the accuracy of the information it contains. You may wish to review the privacy policy of the external site as its information collection practices may differ from ours. Linking to this external site does not constitute an endorsement of the site or the information it contains by CPSC or any of its employees. Are you sure You will need Adobe Acrobat Reader to be able to view it and print it. These manuals will be updated as soon as the new products become available on the market. Please be aware that for some models only the English version is available. Approved third parties also use these tools in connection with our display of ads. Sorry, there was a problem saving your cookie preferences. Try again. Accept Cookies Customise Cookies Please try again. Create a free account Please try your search again later. You can edit your question or post anyway. For exceptions and conditions, see Return details. To calculate the overall star rating and percentage breakdown by star, we don't use a simple average. It also analyses reviews to verify trustworthiness. Merci de cliquer sur le bouton cidessous pour donner votre accord. Vous pouvez changer d'avis et modifier vos choix a tout moment. Taille du document 20.1 Mo 447



Confidentialite fichier public It is not possible to include all the knowledge of a mechanic in one manual. Therefore, anyone who uses this book to perform maintenance and repairs on Yamaha vehicles Proper service with the correct tools is necessary to ensure that the vehicle will operate as designed. If there is any question about a service procedure, it is imperative that you This policy is Modifications and significant changes in specifications or procedures will be forwarded to all authorized Yamaha dealers and It is used to alert you to potential personal injury hazards. Obey all safety messages that follow this symbol to Comprehensive The current section title A number indicates a disassembly step. This information will be Carburetors that meter To accommodate this need, this model has adopted an electronically controlled fuel injection FI system, in place This system can achieve an optimum air/fuel ratio required by The pressure regulator maintains the Therefore, the longer the length of time the fuel injector is energized injection duration, the greater the volume of fuel that is supplied. Conversely, the shorter the length of time the fuel injector is energized Signals that are input from the The injection timing is determined through the signals from the crankshaft position sensor. As a result, the volume of fuel that is required by the engine can be supplied at all times in When the "E" segment The trip meters This information If this occurs, check the Mated parts must All gasket surfaces, oil seal lips and Orings must be cleaned. After the bolt or nut has been This will speed up assembly and allow for Use oil and grease recommended by Other brands Always replace piston pin clips after one use. Special tools, part numbers or both may differ depending on the country.

To avoid warpage, tighten multifastener assemblies in a crisscross pattern and progressive stages until the specified Unless otherwise Components should be Nos partenaires et nous memes utilisons différentes technologies, telles que les cookies, pour personnaliser les contenus et publicités, et analyser le trafic de notre site. It illustrates and documents how to perform valuable maintenance and repair to your allterrain vehicle. When your ATV requires work, it makes sense to have a factory service manual handy for the instructions. It offers guidance when dealing with any ATV featuring

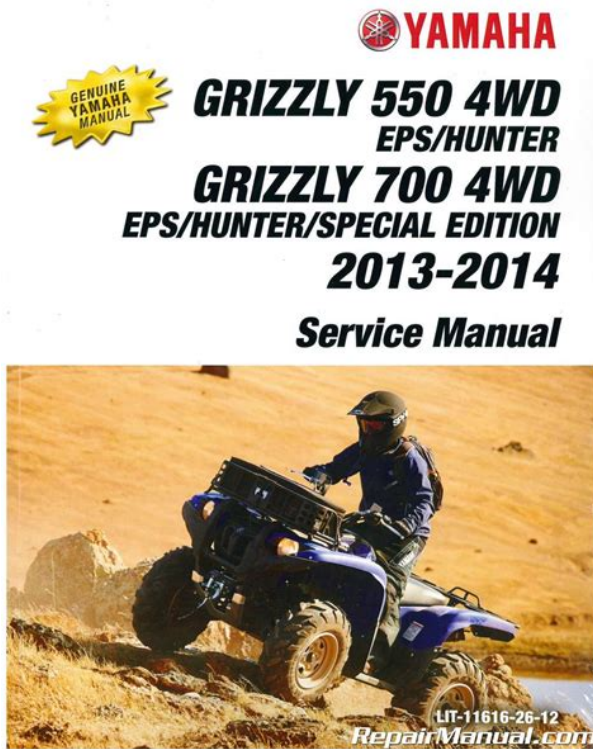
one or two seats with three or more wheels. You can order the book online and download it for easy access. These include It contains guidelines and instructions to maintain, repair and service their ATV. The manuals cover most aspects of repair through stepbystep procedures. You will find part numbers, dimensions, torque specifications and more in this book. It consists of service, maintenance and repair instructions for the ATV. It is geared toward an owner who doesn't have extensive mechanical knowledge. The stepbystep directions provide diagrams, illustrations and photographs. It's more detailed than the FSM and contains instructions for essential maintenance to complex repairs. Not only are the guides easy to follow, but most owners can use it to complete repairs, no matter what skill level they are at. It's provided with the sale of the ATV. Inside the owner's manual, you will find It walks the owner through every step of maintenance and repair. If you've ever been stuck trying to fix your ATV, you know how invaluable this resource will be. The helpful illustrations, photographs and diagrams make service work simple. To keep the manual in perfect condition, download it. This format provides easy access, no matter where you are and allows you to keep the contents in pristine condition. Electronically delivered manuals are available for the models listed below.



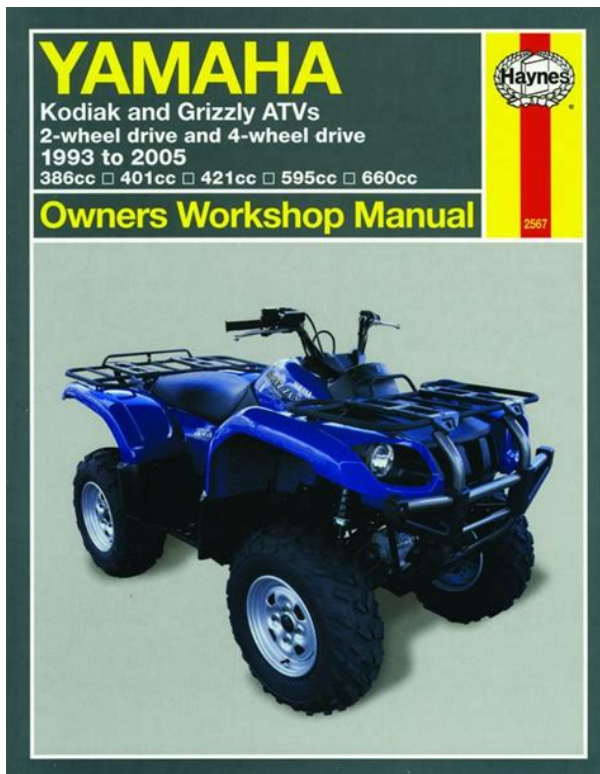
<http://www.raumboerse-luzern.ch/mieten/bose-ps28-subwoofer-manual>

Discover everything Scribd has to offer, including books and audiobooks from major publishers. Report this Document Download Now save Save 07 08 Grizzly 700 Service Manual For Later 89% 44 89% found this document useful 44 votes 73K views 485 pages 07 08 Grizzly 700 Service Manual Uploaded by XxfirmanxX Description Full description save Save 07 08 Grizzly 700 Service Manual For Later 89% 89% found this document useful, Mark this document as useful 11% 11% found this document not useful, Mark this document as not useful Embed Share Print Download Now Jump to Page You are on page 1 of 485 Search inside document Browse Books Site Directory Site Language English Change Language English Change Language.

<https://www.jbnature.com/images/canon-eos-rebel-2000-camera-manual.pdf>



<http://www.dbgroup-portugal.com/images/canon-eos-mark-iii-manual.pdf>



<https://totalyoumovement.com/wp-content/plugins/formcraft/file-upload/server/content/files/16274e96bd78dc---brother-kh-890-manual-download.pdf>

<http://afreecountry.com/?q=node/3176>